

**Refer to:**

'Installation Instructions for FD, DFD, DFD X series, and FD X series Fire Damper Models' (Part #481324)

or

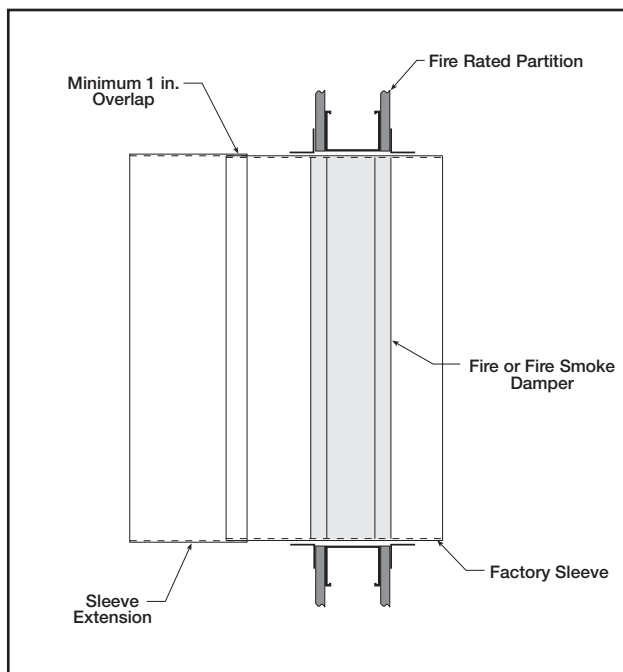
'Installation Instructions for FSD-XXX, DFD-XXX, and SSFSD-XXX Series Fire & Combination Fire Smoke Dampers' (Part #481318) for additional details.



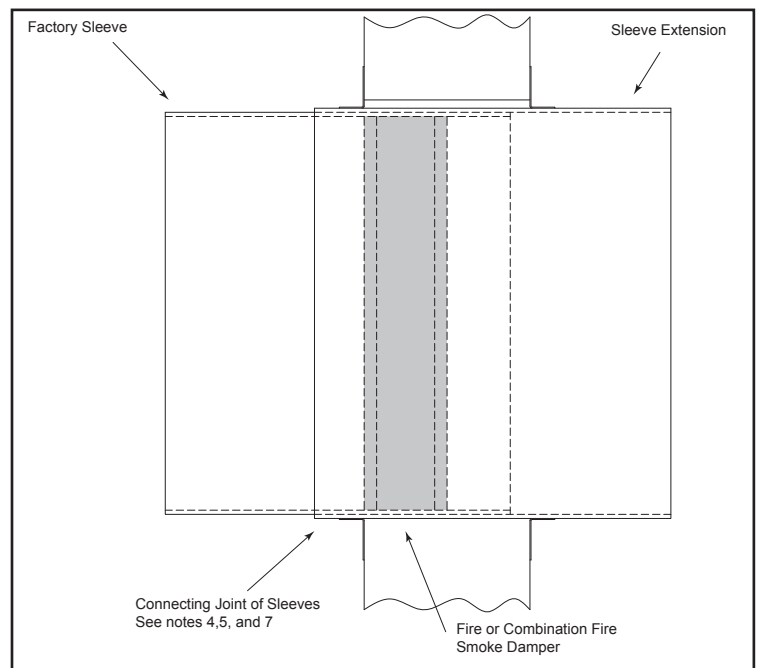
**Application**

Factory installed sleeves may need to be extended in the field. This supplement covers the following applications:

- When the factory sleeve extends all the way through the rated barrier (**Figure 1**)
- When the factory sleeve ends in the plane of the rated barrier (**Figure 2**).



**Figure 1: Factory sleeve extends all the way through the rated barrier.**



**Figure 2: Factory sleeve ends in the plane of the rated barrier.**

This supplemental installation instruction provides details for attachment of the sleeve extension. Consult Authority Having Jurisdiction (AHJ) for approval.

**Notes**

1. Sleeve extension must be same material and gage as factory sleeve.
2. The inside dimensions of the sleeve extension must be the same dimensions as the outside dimensions of the factory sleeve.

3. Sleeve extension must overlap the factory sleeve a minimum of 1 in. (25 mm).
  4. All four sides of the sleeve extension must be attached to the factory sleeve. Attachments must be spaced a maximum of 6 in. (152 mm) on center and a maximum of 2 in. (51 mm) from corners. A minimum of 2 attachments per side (8 per damper) are required. One of the methods of attachment shown below must be used.
    - tack or spot welds
    - #10 sheet metal screws
    - ¼ in. (6 mm) bolts and nuts
    - ⅜ in. (4.7 mm) steel pop rivets
  5. Products with a smoke rating (FSD models) require that the joint between the two sleeves be sealed. Approved caulks include:
    - G.E. 1200 series silicone construction adhesive
    - Component Hardware Group (QMFZ2) silicone SLT-5000 or SLT-5200
    - Silico (QMFZ2) silicone SB or CH (E224060)
    - Dow Corning (QMFZ2) silicone SLT-5200 (E40195)
    - Dow R/C (QMFZ2) silicone Type RTV732.
- Approved duct sealants include:
- Precision PA2084T duct sealant adhesive
  - Design Polymerics DP1010 water base duct sealant
  - Grey Pookie
  - Ductmate PROseal®
  - CL Ward S seal
6. Sleeve extensions can be made to either end of the factory sleeve. However, the total sleeve length cannot extend more than 16 in. (406 mm) on the actuator side and not more than 6 in. (152 mm) on the non-actuator side.
  7. The joint created by the factory sleeve and sleeve extension cannot be in the plane of the partition.

## Our Commitment

*As a result of our commitment to continuous improvement, Greenheck reserves the right to change specifications without notice.*

Product warranties can be found online at [Greenheck.com](http://Greenheck.com), either on the specific product page or in the literature section of the website at [Greenheck.com/Resources/Library/Literature](http://Greenheck.com/Resources/Library/Literature).

